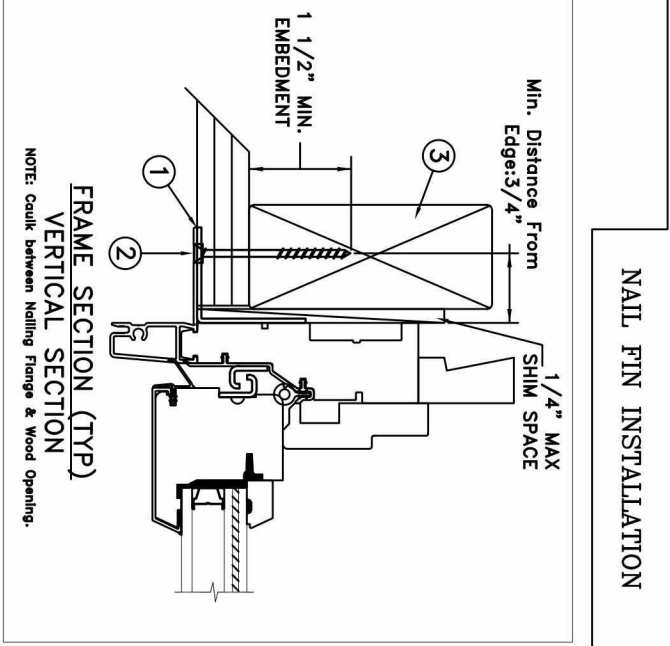
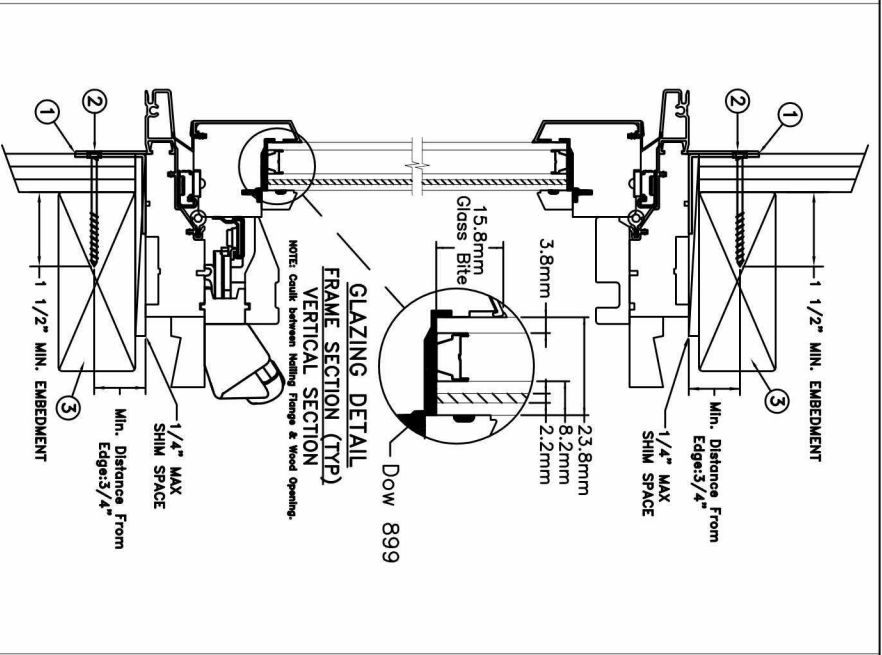
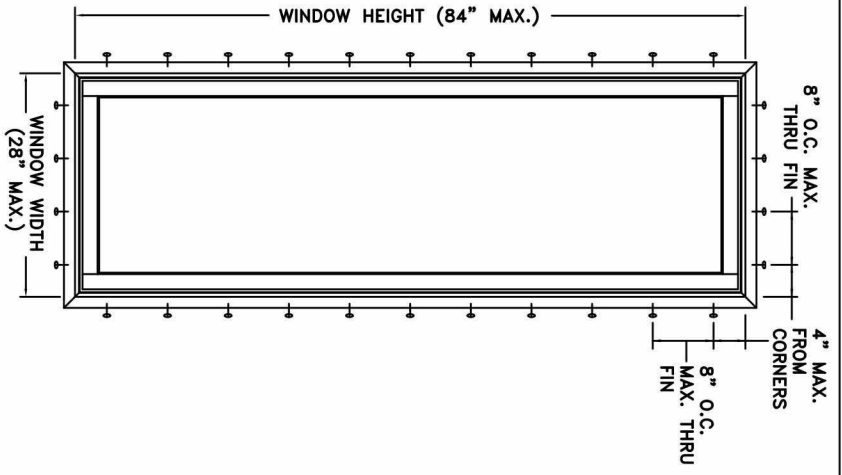


TYPICAL ELEVATION WITH FASTENER SPACING



Max Frame	DP	IMPACT
28" X 84"	+50/-65	YES
Wind Zone 3 Missile Level D		

Installed Fastener Schedule:

1. Seal flange/frame to substrate.
2. Use #8 PH or greater fasteners through nail fin with sufficient length to penetrate a minimum of 1 1/2" into the wood framing. For 2X wood frame substrate (min. S.G. = 0.42).
3. Host structure (wood buck, stud framing and opening) to be designed and anchored to properly transfer all loads to the structure. The host structure is the responsibility of the architect or engineer of record for the project of installation.

General Notes:

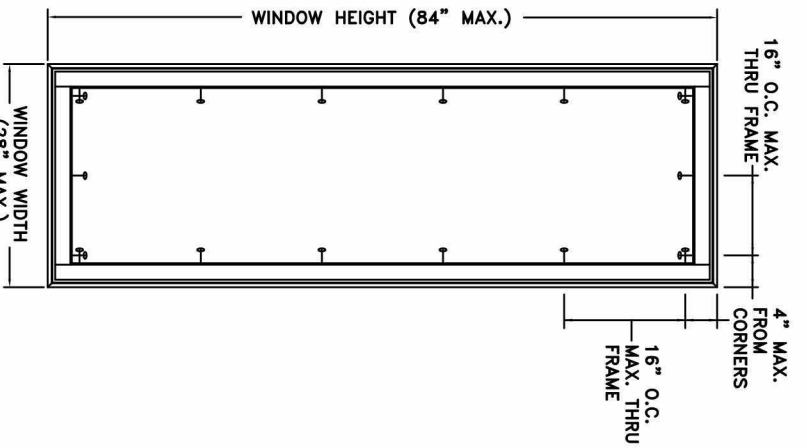
1. The product shown herein is designed, tested and manufactured to comply with the wind load criteria of the adopted International Building Code (IBC), the International Residential Code (IRC), the Florida Building Code (FBC) and the industry standard requirement for the stated conditions.
2. Buck, framing and masonry by others and is responsibility of architect or engineer of record.
3. All glazing shall conform to ASTM E1300.
4. At minimum, glazing shall be 3.8mm annealed - 11.7mm airspace - 2.9mm annealed - 2.2mm PVB Interlayer by Dupont - 2.9mm annealed insulating glass.

This schedule addresses only the fasteners required to anchor the window to achieve the rated design pressure up to the size limitations noted. It is not intended as a guide to the installation process and does not address the sealing consideration that may arise in different wall conditions. For the complete installation procedure, see the instructions packaged with the window or go to www.jeld-wen.com.

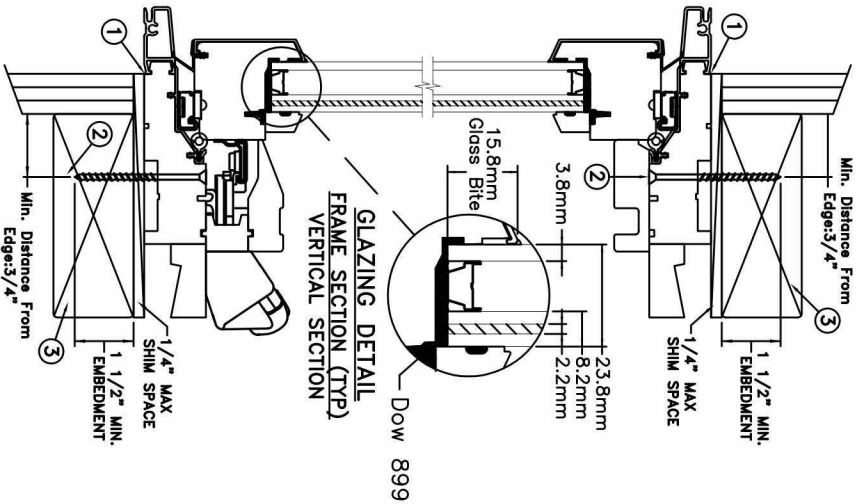
DISCLAIMER:
This drawing and its contents are confidential and are not to be reproduced or copied in whole or in part or used or disclosed to others except as authorized by JELD-WEN Inc.

PROJECT ENGINEER:	DATE:	09/29/2015	
DRAWN BY:	SCALE:	NTS	
D. Vezo	TITLE:	SiteLine Clad Casement Impact Window	
CHECKED BY:	APPROVED BY:		
K. Campbell	D. Stokes		
PART/PROJECT No.:	PLANT NAME AND LOCATION:		
D009402	F2631.01-301-47		
IDENTIFIER NO.:	CAD DWG. No.:	REV.:	SHEET:
F2631.01-301-47		00	

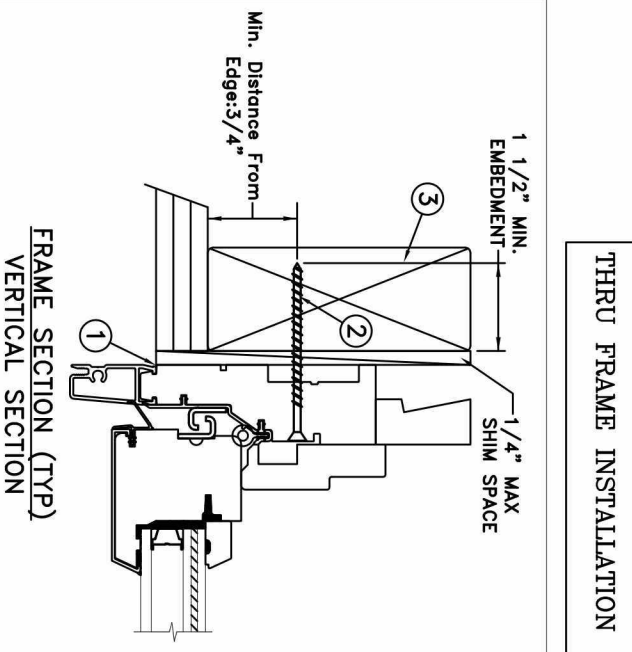
3737 LAKEPORT BLVD.
KLAMATH FALLS OR, 97601
PHONE: (800) 535-3936



TYPICAL ELEVATION WITH FASTENER SPACING



GLAZING DETAIL
FRAME SECTION (TYP)
VERTICAL SECTION



THRU FRAME INSTALLATION

FRAME SECTION (TYP)
VERTICAL SECTION

Max Frame	DP	IMPACT
28" X 84"	+50/-65	YES

Wind Zone 3 Missile Level D

Installed Fastener Schedule:

1. Seal flange/frame to substrate.
2. Use #8 PH or greater fasteners through frame with sufficient length to penetrate a minimum of 1 1/2" into the wood framing. For 2X wood frame substrate (min. S.G. = 0.42).
3. Host structure (wood buck, stud framing and opening) to be designed and anchored to properly transfer all loads to the structure. The host structure is the responsibility of the architect or engineer of record for the project of installation.

General Notes:

1. The product shown herein is designed, tested and manufactured to comply with the wind load criteria of the adopted International Building Code (IBC), the International Residential Code (IRC), the Florida Building Code (FBC) and the industry standard requirement for the stated conditions.
2. Buck, framing and masonry by others and is responsibility of architect or engineer of record.
3. All glazing shall conform to ASTM E1300.
4. At minimum, glazing shall be 3.8mm annealed - 11.7mm airspace - 2.9mm annealed - 2.2mm PVB Interlayer by Dupont - 2.9mm annealed insulating glass.

This schedule addresses only the fasteners required to anchor the window to achieve the rated design pressure up to the size limitations noted. It is not intended as a guide to the installation process and does not address the sealing consideration that may arise in different wall conditions. For the complete installation procedure, see the instructions packaged with the window or go to www.jeld-wen.com.

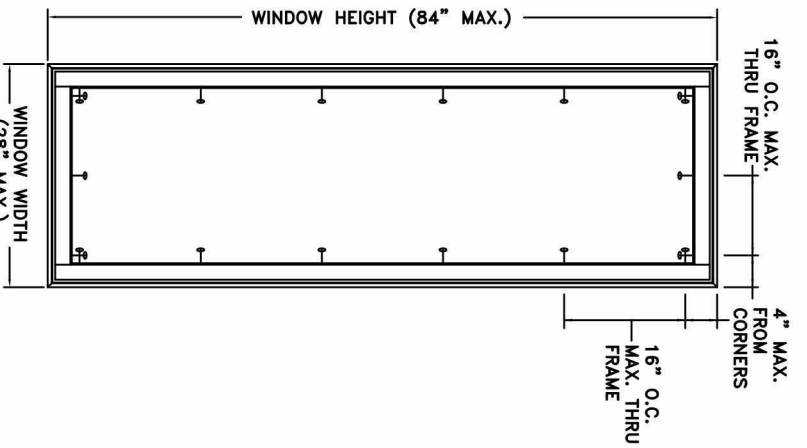
DISCLAIMER:

This drawing and its contents are confidential and are not to be reproduced or copied in whole or in part or used or disclosed to others except as authorized by JELD-WEN Inc.

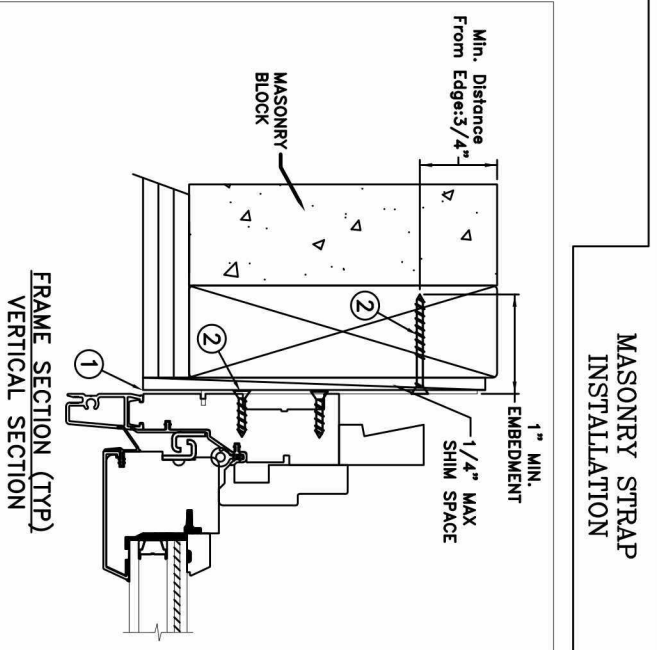
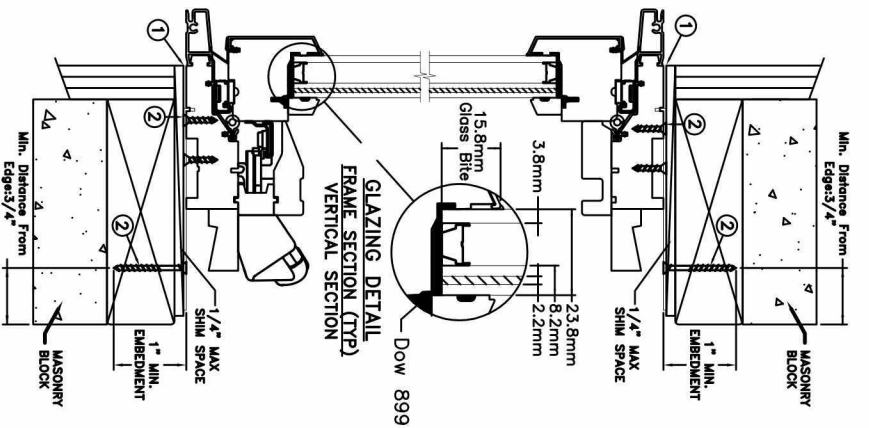
PROJECT ENGINEER:	DATE:	09/29/2015
DRAWN BY:	SCALE:	NTS
D. Vezo	TITLE:	
CHECKED BY:	SiteLine Clad Casement Impact Window	
K. Campbell		
APPROVED BY:		
D. Stokes		
PART/PROJECT No.:	D009402	
IDENTIFIER NO.:	F2631.01-301-47	
PLANT NAME AND LOCATION:	CAD DWG. No.:	REV: 00
		SHEET

JELD-WEN

3737 LAKEPORT BLVD.
KLAMATH FALLS OR, 97601
PHONE: (800) 535-3936



TYPICAL ELEVATION WITH FASTENER SPACING



Max Frame	DP	IMPACT
28" X 84"	+50/-65	YES

Wind Zone 3 Missile Level D

Installed Fastener Schedule:

1. Seal flange/frame to substrate.
2. Install masonry straps to wood frame using #8 corrosion resistant fasteners no more than 4" from each corner and 16" o.c. along the jambs and head. Bend straps around buck and secure with #8 fastener thru masonry strap into buck. Fasteners must be long enough to penetrate at least 1" into framing members.
3. Host structure (wood buck, stud framing and opening) to be designed and anchored to properly transfer all loads to the structure. The host structure is the responsibility of the architect or engineer of record for the project of installation.

General Notes:

1. The product shown herein is designed, tested and manufactured to comply with the wind load criteria of the adopted International Building Code (IBC), the International Residential Code (IRC), the Florida Building Code (FBC) and the industry standard requirement for the stated conditions.
2. Buck, framing and masonry by others and is responsibility of architect or engineer of record.
3. All glazing shall conform to ASTM E1300.
4. At minimum, glazing is 3.8mm annealed - 11.7mm airspace - 2.9mm annealed - 2.2mm PVB Interlayer by Dupont - 2.9mm annealed insulating glass.

This schedule addresses only the fasteners required to anchor the window to achieve the rated design pressure up to the size limitations noted. It is not intended as a guide to the installation process and does not address the sealing consideration that may arise in different wall conditions. For the complete installation procedure, see the instructions packaged with the window or go to www.jeld-wen.com.

DISCLAIMER:
This drawing and its contents are confidential and are not to be reproduced or copied in whole or in part or used or disclosed to others except as authorized by JELD-WEN Inc.

PROJECT ENGINEER:	DATE:	09/29/2015
DRAWN BY:	SCALE:	NTS
D. Vezo	TITLE:	
CHECKED BY:	SiteLine Clad Casement Impact Window	
K. Campbell		
APPROVED BY:		
D. Stokes		
PART/PROJECT No.:	D009402	
IDENTIFIER No.:	F2631.01-301-47	
PLANT NAME AND LOCATION:	CAD DWG. No.:	REV: 00
		SHEET

JELD-WEN

3737 LAKEPORT BLVD.
KLAMATH FALLS OR, 97601
PHONE: (800) 535-3936